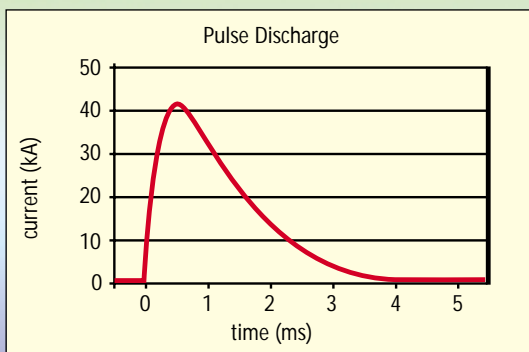
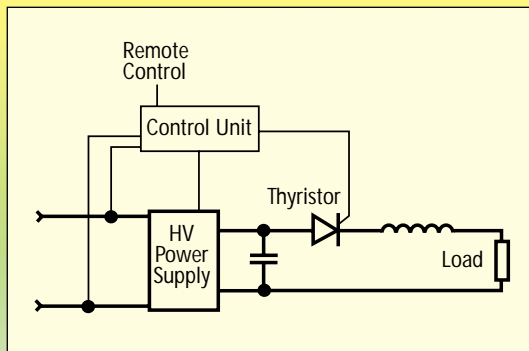


Power Engineering

Pulse Discharge Unit



Example System XT-30

- ▶ stored energy 125000 J
- ▶ peak current > 42000 A
- ▶ discharge ~ 2 ms
- ▶ microprocessor controlled
- ▶ weight 450 kg